

# RATCHET WRENCHES

Ratchet Wrenches are used for fastening operations in confined spaces where angle impact tools and nutrunners cannot reach. Reverse operation can be accomplished by simply turning the wrench over.



FRW-6NX-3, ~4(A)



FRW-8NX-2, ~2(A)

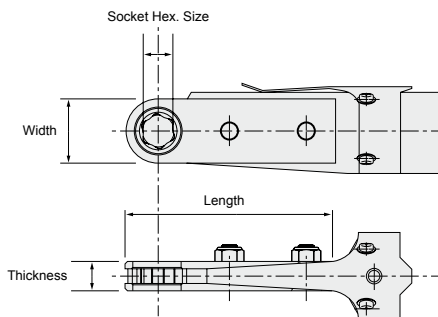


FRW-10N-2



FRW-13N-3, ~4

## HEAD SIZE



## SOCKET SIZE

Model	Socket Hexagone Size (mm)	
	Standard	Other Sizes
FRW-6NX-3	10	8 • 8W • 10W
FRW-6NX-3A	10	8
FRW-6NX-4	13	12 • 12W • 13W
FRW-6NX-4A	13	12
FRW-8NX-2	14	10 • 12 • 13 • 1/2" • 9/16" • 10W • 12W • 13W • 14W
FRW-8NX-2A	14	10 • 12 • 13
FRW-10N-2	17	13 • 14 • 16 • 9/16" • 5/8" • 14W • 17W
FRW-13N-3	21	18 • 19 • 19W • 21W
FRW-13N-4	24	22 • 26 • 27 • 22W • 24W • 26W • 27W

\*Specify the socket size in ordering the tool.

Model	Bolt Size	Max Torque				Free Speed	Hex. Socket Size	Head Size						Overall Length		Weight		Air Consumption (at Load)		Air Hose Size	
								Thickness		Width		Length									
		mm	N.m	kgf.m	ft.lb			min <sup>-1</sup>	mm	mm	in	mm	in	mm	in	mm	in	kg	lb	m <sup>3</sup> /min	ft <sup>3</sup> /min
FRW-6NX-3	M6	10.8	1.1	8.1	200	10	13	33/64	20	25/32	88	3 15/32	316	12 7/16	1.2	2.6	0.25	8.8	9.5	3/8	
FRW-6NX-3A	M6	10.8	1.1	8.1	200	10	10	25/64	20	25/32	88	3 15/32	316	12 7/16	1.2	2.6	0.25	8.8	9.5	3/8	
FRW-6NX-4	M6	12.7	1.3	9.4	170	13	13	33/64	24	61/64	93	3 21/32	320	12 9/16	1.2	2.6	0.25	8.8	9.5	3/8	
FRW-6NX-4A	M6	12.7	1.3	9.4	170	13	10	25/64	24	61/64	93	3 21/32	320	12 9/16	1.2	2.6	0.25	8.8	9.5	3/8	
FRW-8NX-2	M8	29.4	3.0	22.1	200	14	18	45/64	25	63/64	108	4 1/4	378	14 57/64	2.2	4.9	0.43	15.2	9.5	3/8	
FRW-8NX-2A	M8	29.4	3.0	22.1	200	14	10	25/64	25	63/64	108	4 1/4	378	14 57/64	2.1	4.6	0.43	15.2	9.5	3/8	
FRW-10N-2	M10	44.1	4.5	33.1	140	17	18	45/64	33	1 19/64	115	4 17/32	417	16 13/32	2.7	6.0	0.58	20.5	9.5	3/8	
FRW-13N-3	M12	58.8	6.0	44.1	130	21	18	45/64	36	1 27/64	116	4 9/16	419	16 1/2	2.7	6.0	0.58	20.5	9.5	3/8	
FRW-13N-4	M12	78.4	8.0	58.8	100	24	18	45/64	46	1 13/64	129	4 5/64	431	16 31/32	3.0	6.6	0.58	20.5	9.5	3/8	

Air Inlet Thread Size: PT or NPT 1/4".

NX models have silencer