

Riveters

**up to 5 mm standard (aluminium/copper)
up to 6,4 mm standard (aluminium/copper)**

Handy blind riveters with collection container for torn-off rivet pins. Durable air-hydraulic force multiplying system and hanger for use with balancers. Model 6700 with 4 different sizes of mouthpieces Model 6710 with swivel air connector, 5 different sizes of mouthpieces and 2 additional sets of extra hardened jaws for replacement in order to allow an optimum adaptation to differently thick rivet pins.



Rivet Size	Model	Article no.
to 5 mm	RC6700	8951074001
to 6,4 mm	RC6710	8951074002



up to 6,4 mm Standard (steel ...)

Robust riveter with soft rubber coated handle and easy to maintenance construction. Well suited for an ergonomic work place design with balancer that is attached to the hanger on the tool. With large transparent rivet pin container offering sufficient room for long undisturbed work. With 4 different sizes of mouth pieces and one set of extra hardened jaws for replacement in order to allow an optimum adaptation to differently thick rivet pins.

Model	Article no.
RC6715	8951074003



6703Xi
XTRA INNOVATION

**with pin removal by suction
up to 4.8 mm steel (standard rivets)
up to 6.4 mm steel (standard rivets)**

High quality riveters with rivet pin removal by suction (adjustable / can be switched off) and transparent rivet pin collector. Two-finger trigger for easier operation and ON/OFF-switch (for permanently connected tools). Ergonomic due to the large silencer, the cold-insulating handle material and the hanger. Always full stroke and power due to service-friendly hydraulic system. Including 2 additional sets of jaws, 1 additional jaw case, hydraulic oil in a bottle, several keys for adjustment/adaptation, mouthpieces of various sizes, rivet pin extraction tube (only for model 6718Xi).



Rivet Size
up to 4,8 mm steel rivets
up to 6,4 mm steel rivets

Model	Article no.
RC6703Xi	8951074007
RC6718Xi	8951074008

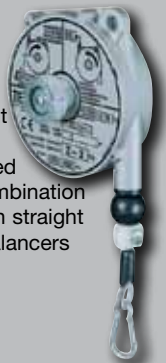
Spiral Hoses

Our high quality polyurethane spiral hoses with straight ends are excellently suited for use with screwdrivers in combination with our balancers. Due to their low resistance to the pulling force and their small diameter of the spiral they are very practical and comfortable to use. See page 67



Balancers

In order to design an ergonomic and efficient work place especially the straight screwdrivers often require to be equipped with balancers in combination with spiral hoses with straight ends or with hose balancers. See page 63

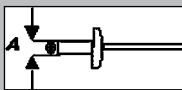


Rivets: BLIND / BULB / BOLT

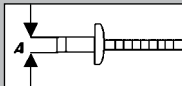
The most important dimension to select the correct rivet is "A". There are not only standard blind rivets but also high power rivets for high tension (BULB) and high shear resistant (BOLT) that require specially suited riveters.

Also threaded inserts need special riveters to be fixed. Please use the correct drill size when preparing the bores and consider the thickness of the material when selecting the proper rivet length.

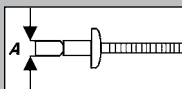
Standard Blind Rivets



BULB-Blind Rivets



BOLT-Blind Rivets



**one tool for 3 types of rivets (standard, BULB, BOLT)
up to 8.0 mm standard - steel
up to 6.4 mm standard - stainless steel, steel ...
6,4 mm special BOLT rivets**

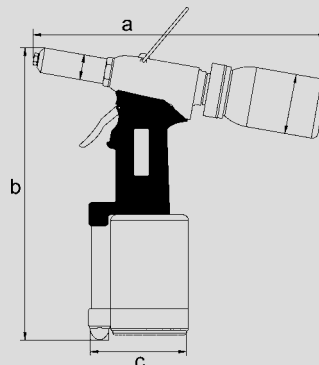
Large versatile riveter with soft rubber coated handle and easy to maintenance construction. Well suited for an ergonomic work place design with balancer that is attached to the hanger on the tool. Equipped with adjustable suction jet and large transparent collection container for torn-off rivet pins. With durable air-hydraulic force multiplying system and swivel air connector. Equipped with 3 different sizes of mouthpieces and one special accessory for 6,4 mm BOLT rivets. Works also on up to 6,4 mm BULB rivets. Including an additional set of hardened jaws.



Rivet Size
to 8 mm

Model
RC6720

Article no.
8951074004



Model	Blind Rivet	Mouthpiece Rivet Pin	Force / Stroke	Weight	Inner hose diameter	Dimension a x b x c	Air consumption average - continuous	Air inlet	Duty level	Noise LpA	Vibration
			F								
	[mm]	[mm]	[N] / [mm]	[kg]	[mm]	[mm]	[l/stroke]	[inch]		[dB(A)]	[m/s ²]
RC6700	2.4 - 5.0 *	2.0 / 2.4 3.0 / 3.4	12000	1.6	8	225x280x100	1.2	1/4" IG	2	86.5	3.5
RC6703X	2.4 - 4.8 **	2.4 / 3.2 / 4.0	10900 20	1.5	8	310x287x122	2.1	1/4" IG	3	71	2.3
RC6710	2.4 - 6.4 *	2.0 / 2.4 3.0 / 4.0 / 4.4	19000	2.1	8	255x325x110	1.8	1/4" IG	2	64.1	4.3
RC6715	3.2 - 6.4 **	2.0 / 2.8 3.2 / 4.5	15000	1.8	8	300x300x100	1.1	1/4" IG	3	77.3	2.4
RC6718X	2.4 - 6.4 **	2.0 / 2.4 / 4.3	15200 26	1.9	8	310x316x136	4.3	1/4" IG	3	76.2	2.2
RC6720	4.8 - 6.4 *** 4.8 - 8.0 ** 6.4 "BULB" ** 6.4 "BOLT" **	3.1 / 4.3 / 5.0 4.2 "BOLT"	17000 23	2.6	8	300x310x122	2.0	1/4" IG	3	66.2	3.5

max. pressure 6.3 bar (90 psi).

* = Cu, Al: only for rivets made of copper, aluminium or softer material.

** = steel: also for rivets made of steel or softer material.

*** = INOX: also for rivets made of stainless steel or softer material.

"BULB": high tension special rivets (various material).

"BOLT": high shear special rivets (various material)

FT: female thread

norms applied : noise according to ISO15744, vibration 3-axis according to ISO20643, more detailed specs see page 69.